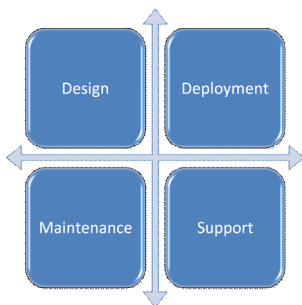
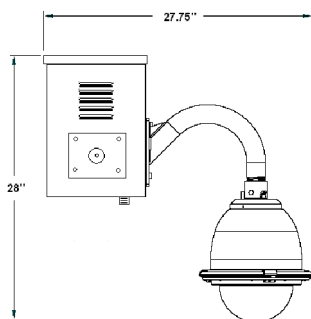


RD Surveillance

Permanent and Tactical Solutions

- Wired and Wireless
- Access Control
- Gunshot Detection
- Video Analytics



The Rapid Deployment Surveillance System (RDSS) provides municipalities and government organizations with a comprehensive integrated surveillance system. With RDSS, we have integrated multiple camera devices into a single, unified software platform. Whether the need is to quickly deploy live monitoring and recording in a tactical environment such as a hostage situation, easily move cameras around the city for month or year long deployments, or setup solar powered camera trailers, RDSS provides a low-cost integrated approach. This is all achieved through a low cost mesh backhaul and software that provides complete management of all video regardless of source. An optional module can be used within the system to add video intelligence on any of the cameras within the RDSS system.

- **Rapid/Portable Deployments** —This system was originally designed by Avrio for the Phoenix Police Department when they were facing a serial murderer and needed a citywide video surveillance system that could be quickly deployed and easily moved.
- **Custom Designs** —Avrio designs and manufacture the RD PoleCam units in-house making customization for a customers needs possible.
- **Scalability** —The RD PoleCam allows for easy scalability in the future.
- **Mobility** —Allows for video to be pushed or pulled, to or from moving vehicles while still maintaining high throughput.
- **Applications**—Can include and backhaul license plate recognition, gun shot detection, video intelligence.
- **Flexible**—Use any camera and supports up to three on a single box.
- **Compact design** makes it the smallest on the market which cuts down on wind loading as well as snow and ice buildup.
- **Maintainability**—All major components within the PoleCam are on one plate that can be removed by unscrewing four wing nuts which make for easy maintenance.



Avrio Group

8 S. WEST STREET, SUITE 101
EASTON, MD 21601

Phone: 410.820.9334
Fax: 410.820.4304
www.avriogroup.com

Avrio Group is a premier provider of IP-Surveillance solutions for enterprise applications. By coupling an open software platform with 256 bit encrypted wireless mesh technology, high-end IP-Cameras and rugged NEMA enclosures, Avrio Group is providing solutions that are solving unique problems today. From tactical response to long term autonomous and portable video surveillance solutions for city-wide deployments, Avrio Group solutions are a cost effective way to rapidly achieve high-quality video regardless of the application. Contact us at 410.820.9334 or e-mail info@avriogroup.com to learn more.